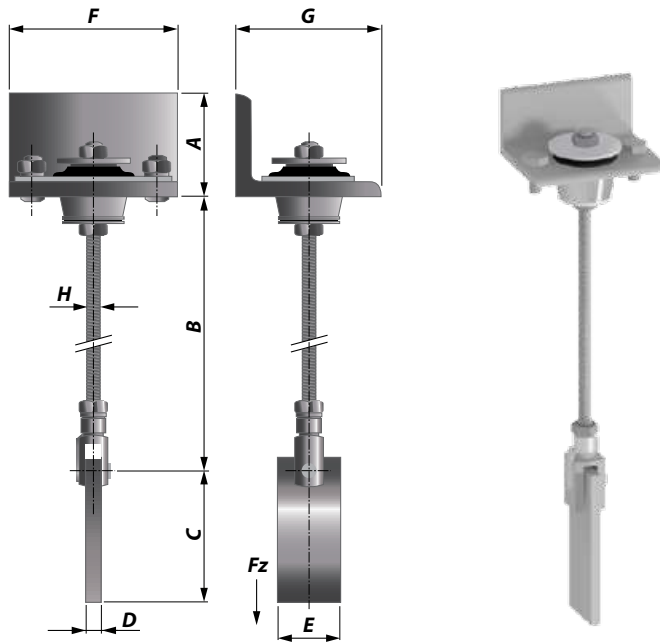


SLIDING SUPPORTING POINTS

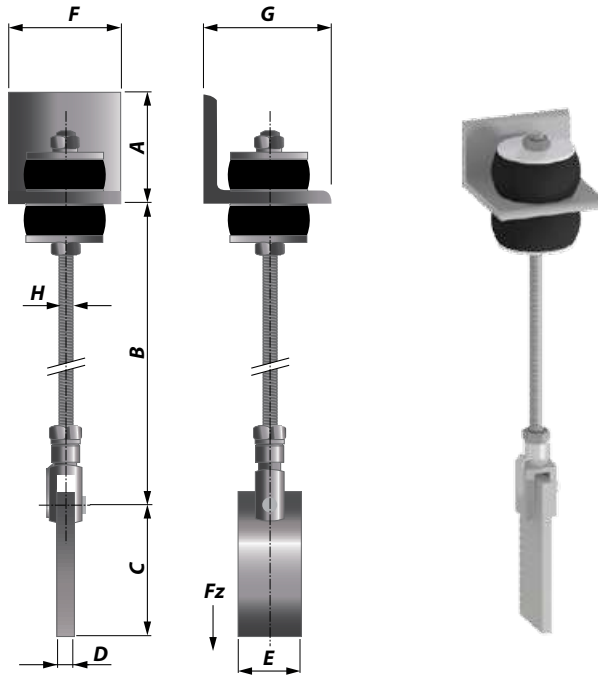
PAX-90



Type	Article No.	A (mm)	B (mm)	C (mm)	D (mm)	E (mm)	F (mm)	G (mm)	H	Weight (kg)	Fz max (kg)	Hardness
PAX 90 - 45°	430104510009	50	320	118	8	50	95	75	M10	1.4	50	45°
PAX 90 - 60°	430106010009	50	320	118	8	50	95	75	M10	1.4	90	60°

SLIDING SUPPORTING POINTS

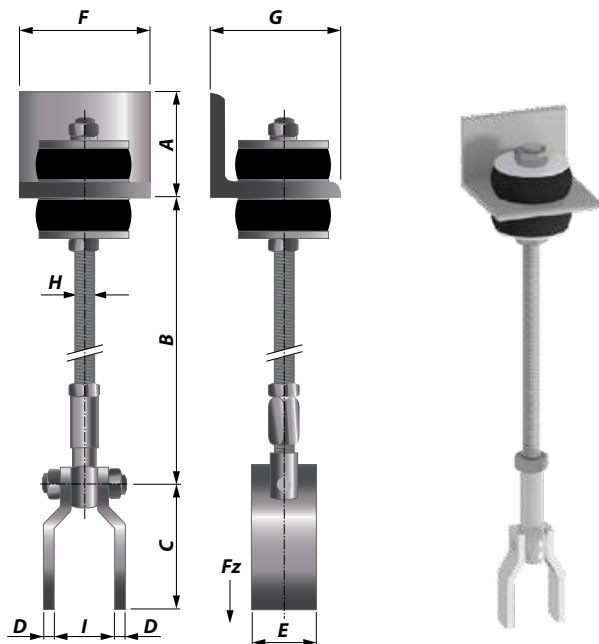
PAX-300/PAX-450



Type	Article No.	A (mm)	B (mm)	C (mm)	D (mm)	E (mm)	F (mm)	G (mm)	H	Weight (kg)	Fz max (kg)	Hardness
PAX 300 - 45°	430104512030	65	300	135	10	60	100	100	M12	2.6	175	45°
PAX 300 - 60°	430106012030	65	300	135	10	60	100	100	M12	2.6	250	60°
PAX 450 - 45°	430104516045	80	470	130	15	70	120	120	M16	5.0	300	45°
PAX 450 - 60°	430106016045	80	470	130	15	70	120	120	M16	5.0	450	65

SLIDING SUPPORTING POINTS

PAX-900/PAX-2000/PAX-3600



Type	Article No.	A (mm)	B (mm)	C (mm)	D (mm)	E (mm)	F (mm)	G (mm)	H	Weight (kg)	Fz max (kg)	Hardness
PAX 900 - 45°	430104524090	100	530	115	10	40	150	150	M24	70	650	45°
PAX 900 - 60°	430106024090	100	530	115	10	40	150	150	M24	70	900	60°
PAX 2000 - 45°	430104530200	100	530	130	10	50	180	200	M30	80	1000	45°
PAX 2000 - 60°	430106530200	100	530	130	10	50	180	200	M30	80	2000	65°
PAX 3600 - 45°	430104536360	100	555	215	15	65	230	200	M36	140	1800	45°
PAX 3600 - 60°	430106536360	100	555	215	15	65	230	200	M36	140	3600	65°