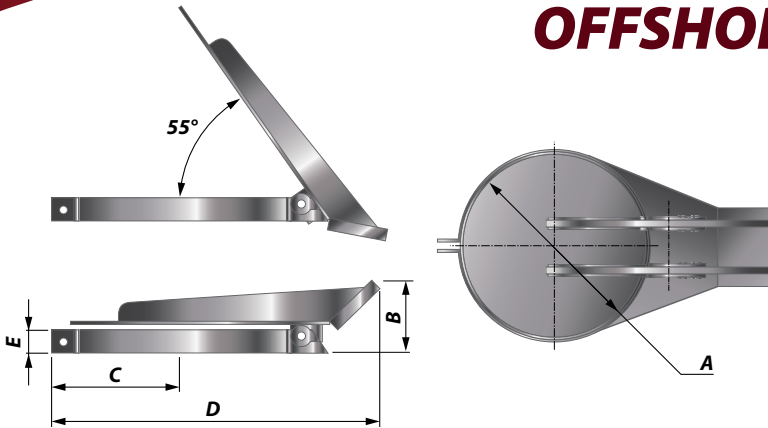
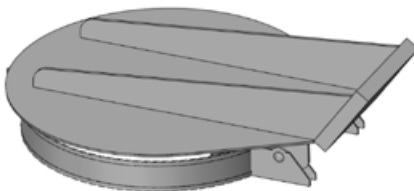


RAIN CAPS OFFSHORE



Article No.	A Size (Inch)	NB (mm)	Pipe (mm)	B (mm)	C (mm)	D (mm)	E (mm)	Weight (kg)
217102000015	1.5	40	48.3	82	65	72	30	2
217102000020	2	50	60.3	82	70	90	30	2
217102000025	2.5	65	76.1	82	78	114	30	2
217102000030	3	80	88.9	87	84	135	30	2
217102000040	4	100	114.3	87	95	170	30	2
217102000050	5	125	139.7	97	108	210	30	4
217102000060	6	150	168.3	97	123	250	30	4
217102000080	8	200	219.1	97	150	330	40	6
217102000100	10	250	273.0	97	176	410	40	6
217102000120	12	300	323.9	110	201	485	40	8
217102000140	14	350	355.6	125	220	560	40	8
217102000160	16	400	406.4	135	245	610	40	8
217102000180	18	450	457.2	150	270	685	40	8



CHARACTERISTICS

- ✓ Stainless Steel
- ✓ Silent
- ✓ Balanced
- ✓ Maintenance Free
- ✓ Sustainable
- ✓ Easy to Install