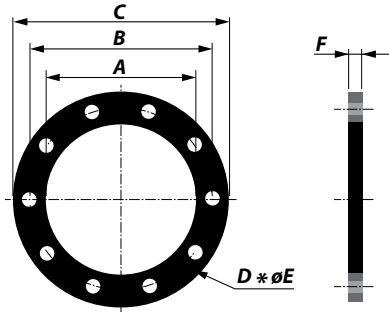


GRAPHITE GASKET TYPE FULL FACE JIS B2220 - 10K



| Article No. | Size (Inch) | NB (mm) | Pipe (mm) | A (mm) | B (mm) | C (mm) | D Number of holes | E Diameter of holes (mm) | F (mm) | Weight (kg) |
|--------------|-------------|---------|-----------|--------|--------|--------|-------------------|--------------------------|--------|-------------|
| 213150020010 | 1 | 25 | 34.5 | 35 | 90 | 125 | 4 | 19 | 2 | 0.1 |
| 213150020013 | 1.25 | 32 | 43.2 | 43 | 100 | 135 | 4 | 19 | 2 | 0.1 |
| 213150020015 | 1.5 | 40 | 49.1 | 49 | 105 | 140 | 4 | 19 | 2 | 0.1 |
| 213150020020 | 2 | 50 | 61.1 | 61 | 120 | 155 | 4 | 19 | 2 | 0.1 |
| 213150020025 | 2.5 | 65 | 77.1 | 77 | 140 | 175 | 4 | 19 | 2 | 0.2 |
| 213150020030 | 3 | 80 | 90.0 | 90 | 150 | 185 | 8 | 19 | 2 | 0.2 |
| 213150020040 | 4 | 100 | 115.4 | 116 | 175 | 210 | 8 | 19 | 2 | 0.2 |
| 213150020050 | 5 | 125 | 141.2 | 142 | 210 | 250 | 8 | 23 | 2 | 0.2 |
| 213150020060 | 6 | 150 | 166.6 | 167 | 240 | 280 | 8 | 23 | 2 | 0.3 |
| 213150020080 | 8 | 200 | 218.0 | 218 | 290 | 330 | 12 | 23 | 2 | 0.3 |
| 213150020100 | 10 | 250 | 269.5 | 270 | 355 | 400 | 12 | 25 | 2 | 0.3 |
| 213150020120 | 12 | 300 | 321.0 | 321 | 400 | 445 | 16 | 25 | 2 | 0.3 |
| 213150020140 | 14 | 350 | 358.1 | 358 | 445 | 490 | 16 | 25 | 2 | 0.4 |
| 213150020160 | 16 | 400 | 409.0 | 409 | 510 | 560 | 16 | 27 | 2 | 0.4 |
| 213150020180 | 18 | 450 | 460.0 | 460 | 565 | 620 | 20 | 27 | 2 | 0.4 |
| 213150020200 | 20 | 500 | 511.0 | 511 | 620 | 675 | 20 | 27 | 2 | 0.5 |
| 213150020240 | 24 | 600 | 613.0 | 613 | 730 | 795 | 24 | 33 | 2 | 0.8 |
| 213150020280 | 28 | 700 | 715.0 | 715 | 840 | 905 | 24 | 33 | 2 | 0.8 |
| 213150020320 | 32 | 800 | 817.0 | 817 | 950 | 1020 | 28 | 33 | 2 | 0.8 |
| 213150020360 | 36 | 900 | 919.0 | 919 | 1050 | 1120 | 28 | 33 | 2 | 1 |
| 213150020400 | 40 | 1000 | 1021.0 | 1021 | 1160 | 1235 | 28 | 39 | 2 | 1 |

CHARACTERISTICS

Gaskets Hole pattern according type JIS Standard

Material Gaskets are produced out of graphite

Range Diameter range from 34.5 mm up to 1021 mm

Thickness 2 mm, with an option for 3 and 4 mm

Temperature The maximum allowable temperature is 600°C