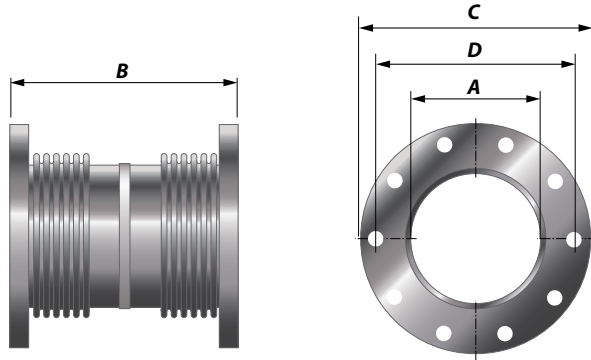


TYPE AC19

Double Compensators with rotatable flanges PN10



Article No.	A Size (Inch)	NB (mm)	Pipe (mm)	B Length (mm)	C O.D. (mm)	Flange		Movements*	
						Holes x d (mm)	D Bolt circle (mm)	Axial ± (mm)	Lateral ± (mm)
331615400030	3	80	88.9	400	200	8 x 18	160	80	35
331615400040	4	100	114.3	400	220	8 x 18	180	69	40
331615400050	5	125	139.7	400	250	8 x 18	210	70	60
331615500060	6	150	168.3	500	285	8 x 22	240	75	70
331615500080	8	200	219.1	500	320	8 x 18	280	75	70
331615500100	10	250	273.0	500	375	12 x 18	335	55	32
331615500120	12	300	323.9	500	440	12 x 22	395	64	43
331615500140	14	350	355.6	500	490	12 x 22	445	64	39
331615600160	16	400	406.4	600	540	16 x 22	495	90	75
331615600180	18	450	457.2	600	595	16 x 22	550	90	69
331615600200	20	500	508.0	600	645	20 x 22	600	90	62
331615600240	24	600	609.6	600	754	20 x 22	700	90	52
331615600280	28	700	711.2	600	856	24 x 22	800	90	45
331615600320	32	800	812.8	600	958	24 x 22	900	90	39
331615600360	36	900	914.4	600	1060	28 x 22	1010	90	35
331615600400	40	1000	1016.0	600	1162	32 x 22	1110	90	31

*Movements (axial/lateral) are not in combination.



CHARACTERISTICS

- ✓ Stainless steel expansion joint AISI321
- ✓ Alternative flange dimensions available
- ✓ With rotatable flanges according to DIN2573 - PN10
- ✓ Supplied at pre-stressed length
- ✓ Max. Pressure: 2.5 bar (20°C)
- ✓ Single ply bellows material
- ✓ Max. Temperature: 550°C
- ✓ Twin bellows construction
- ✓ All are stock items
- ✓ Long length