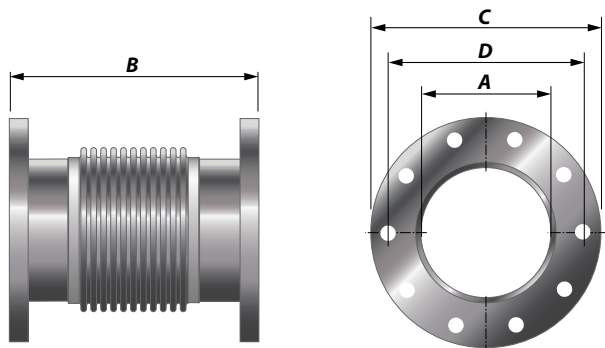


TYPE AC16

Compensators with rotatable flanges PN10



Article No.	A Size (Inch)	NB (mm)	Pipe (mm)	B Length (mm)	C O.D. (mm)	Flange		Movements*	
						Holes x d (mm)	D Bolt circle (mm)	Axial ± (mm)	Lateral ± (mm)
331415195015	1.5	40	48.3	195	150	4 x 18	110	35	18
331415195020	2	50	60.3	195	165	4 x 18	125	35	18
331415210025	2.5	65	76.1	210	185	4 x 18	145	38	16
331415250030	3	80	88.9	250	200	8 x 18	160	32	22
331415290040	4	100	114.3	290	220	8 x 18	180	32	28
331415305050	5	125	139.7	305	250	8 x 18	210	32	22
331415305060	6	150	168.3	305	285	8 x 22	240	32	20
331415310080	8	200	219.1	310	340	8 x 22	295	32	16
331415320100	10	250	273.0	320	395	12 x 22	350	40	17
331415320120	12	300	323.9	320	445	12 x 22	400	40	15
331415330140	14	350	355.6	330	505	16 x 22	460	40	14
331415340160	16	400	406.4	340	565	16 x 26	515	64	13
331415340180	18	450	457.2	340	615	20 x 26	565	64	11
331415340200	20	500	508.0	340	670	20 x 26	620	64	10
331415350240	24	600	609.6	350	780	20 x 30	725	64	9

*Movements (axial/lateral) are not in combination.



CHARACTERISTICS

- ✓ Carbon steel flanges according to DIN 2576 - PN10
- ✓ Stainless steel rotatable expansion joint AISI 321
- ✓ Max. pressure: 2.5 bar (20°C)
- ✓ Double Ply Bellows material
- ✓ Max. temperature: 550 °C
- ✓ All are stock items
- ✓ Standard length