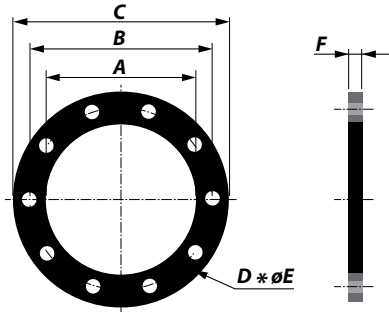


GRAPHITE GASKET TYPE FULL FACE ANSI 150



Article No.	Size (Inch)	NB (mm)	Pipe (mm)	A (mm)	B (mm)	C (mm)	D Number of holes	E Diameter of holes (mm)	F (mm)	Weight (kg)
213130020010	1	25	33.4	35	79	110	4	16	2	0.1
213130020013	1.25	32	42.2	43	89	120	4	16	2	0.1
213130020015	1.5	40	48.3	49	99	130	4	16	2	0.1
213130020020	2	50	60.3	61	121	150	4	19	2	0.1
213130020025	2.5	65	76.1	73	140	180	4	19	2	0.2
213130020030	3	80	88.9	90	153	190	4	19	2	0.2
213130020040	4	100	114.3	116	191	230	8	19	2	0.2
213130020050	5	125	139.7	142	216	255	8	22	2	0.2
213130020060	6	150	168.3	171	242	280	8	22	2	0.3
213130020080	8	200	219.1	222	299	345	8	22	2	0.3
213130020100	10	250	273.0	276	362	405	12	26	2	0.3
213130020120	12	300	323.9	327	432	485	12	26	2	0.3
213130020140	14	350	355.6	360	476	535	12	30	2	0.4
213130020160	16	400	406.4	411	540	600	16	30	2	0.4
213130020180	18	450	457.2	461	578	635	16	33	2	0.4
213130020200	20	500	508.0	512	635	700	20	33	2	0.5
213130020240	24	600	609.6	614	750	815	20	36	2	0.8

CHARACTERISTICS

Gaskets Hole pattern according type ANSI 150 Standard

Material Gaskets are produced out of graphite

Range Diameter range from 33.4 mm up to 609.6 mm

Thickness 2 mm, with an option for 3 and 4 mm

Temperature The maximum allowable temperature is 600°C